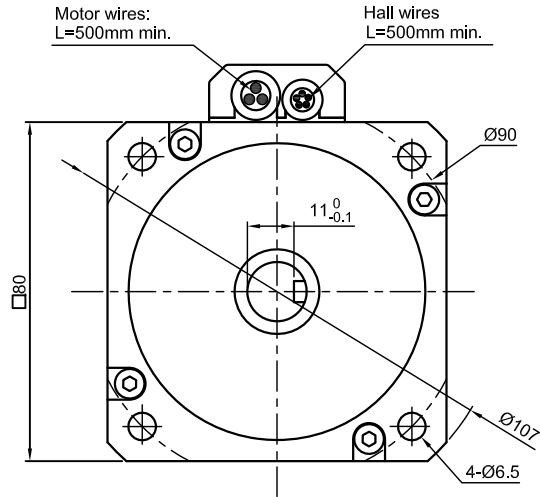
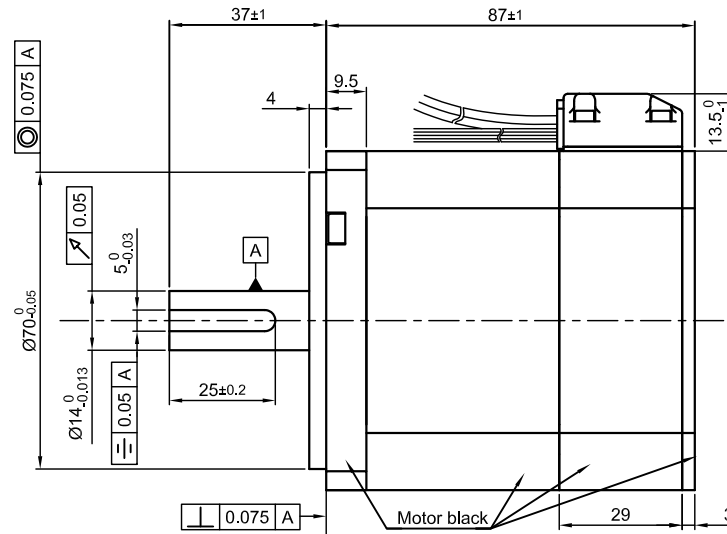


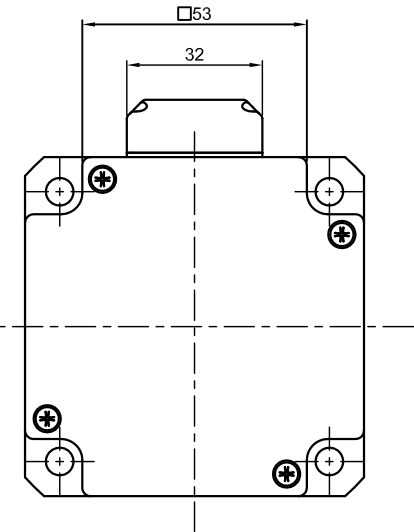
Front view and mounting



Side view

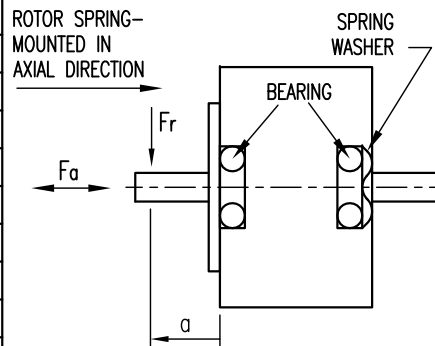


Rear view



SPECIFICATION	CONNECTION	DELTA
NO. OF POL./PHASE		8/3
VOLTAGE RATED (VDC)		48
CURRENT RATED/NO LOAD/PEAK (A)		6.9/0.5/20
RESISTANCE/LINE TO LINE (Ohms) @25°C		0.28±15%
INDUCTANCE/LINE TO LINE (mH) @1KHz		1.3±20%
TORQUE RATED/PEAK (Nm) [lb-in]		0.9/2.5 [7.97/22.13]
TORQUE CONSTANT (Nm/A) [lb-in/A]		0.13 [1.15]
POWER RATED (W)		283
SPEED RATED/NO LOAD (RPM)		3000/4100±10%
ROTOR INERTIA (g.cm <sup>2</sup> )		544
WEIGHT (Kg) [lb]		1.5[3.31]

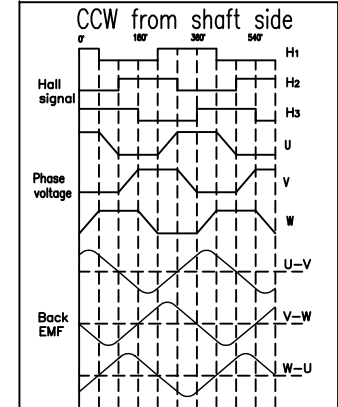
PERMISSIBLE RADIAL+AXIAL FORCE



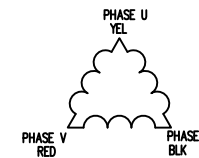
AXIAL-FORCE Fa (N)	45	
DISTANCE a (mm)	20	
RADIAL-FORCE Fr (N)	115	
	AXIAL	RADIAL
SHAFT PLAY (mm)	0.025	0.025
AT LOAD MAX: (N)	40	4.6

WIRING DIAGRAM

	COLOR	FUNCTION	LEAD GAUGE
MOTOR 8 POL.	YEL	U	UL3135 AWG14
	RED	V	
	BLK	W	
HALL 24 IMPL. REV.	RED	4.5~24V	SHIELDED, ROUND CABLE AWM 2464 AWG26
	BLU	H1	
	GRN	H2	
	WHT	H3	
	BLK	GND	



DELTA CONNECTING



B	-	25.07.17	GYQ	 <b>Nanotec</b> <sup>®</sup> PLUG & DRIVE	APVD	S.G.	09.08.16	<b>BRUSHLESS DC MOTOR</b>  DWG.NO DB80S048030-A			
A	-	29.08.16	GYQ		CHKD	L B	09.08.16				
REV	DESCRIPTION	DATE	DRN	Surface specification DIN ISO 1302	General tolerances DIN ISO 2768-cH	Work piece edge DIN ISO 13715	DRN		GYQ	09.08.16	SIGNATURE